

Orion = mm

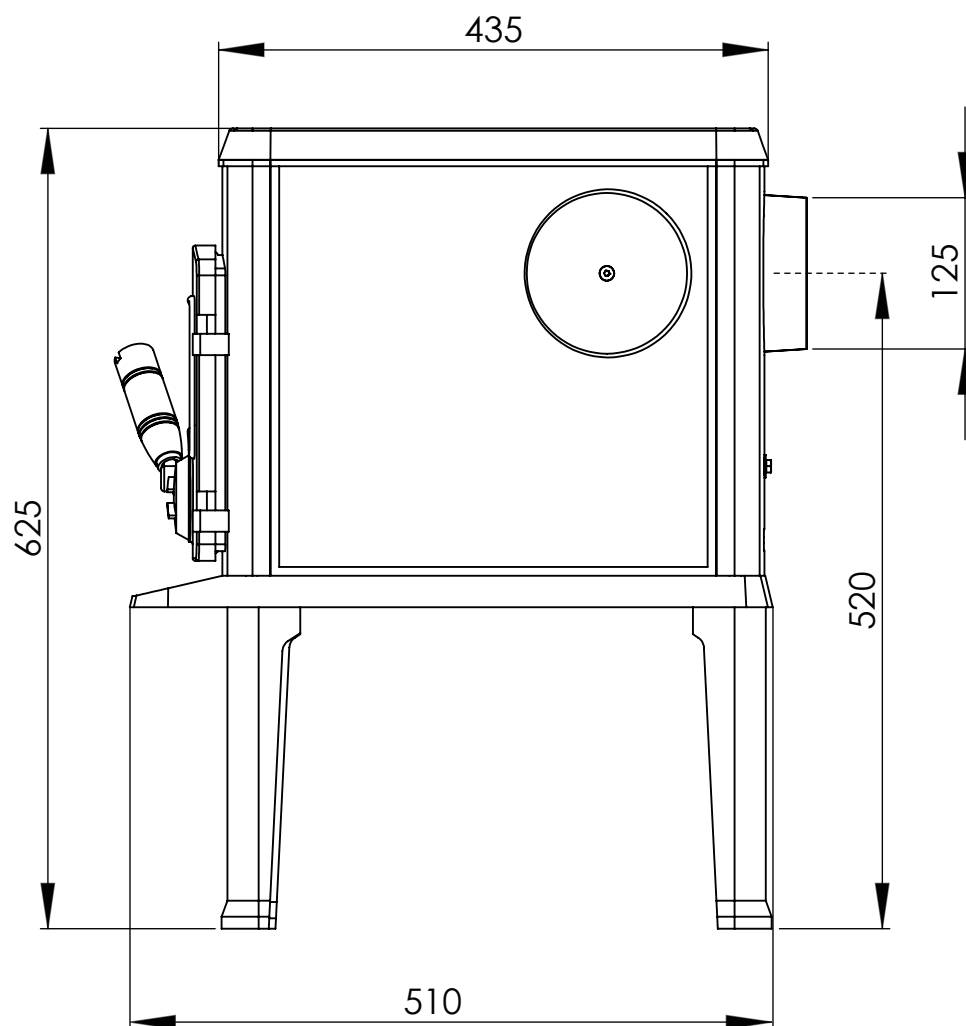
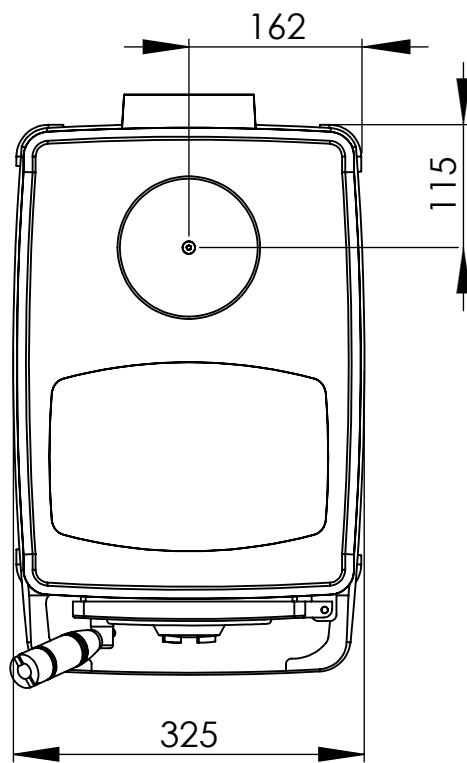



FIG 1

 = 65mm

