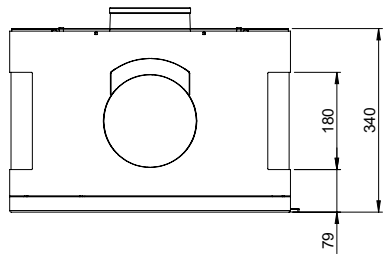
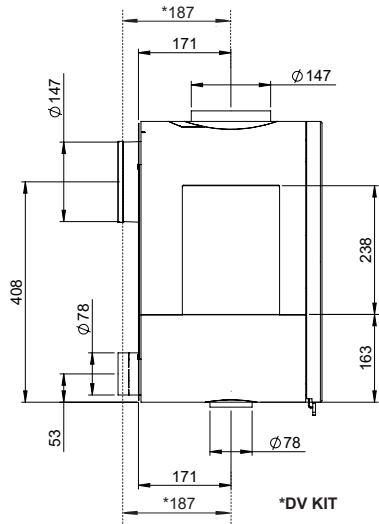
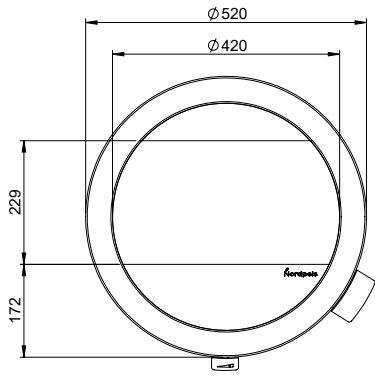
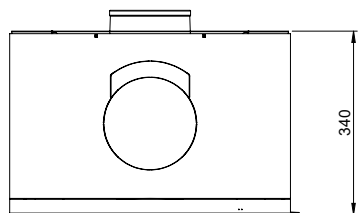
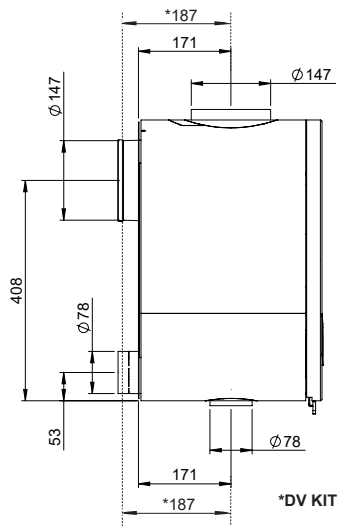
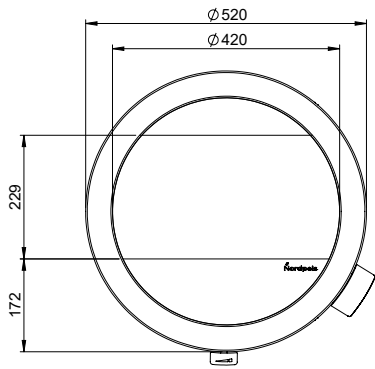



**Me stove with sideglass = mm / air / chimney**



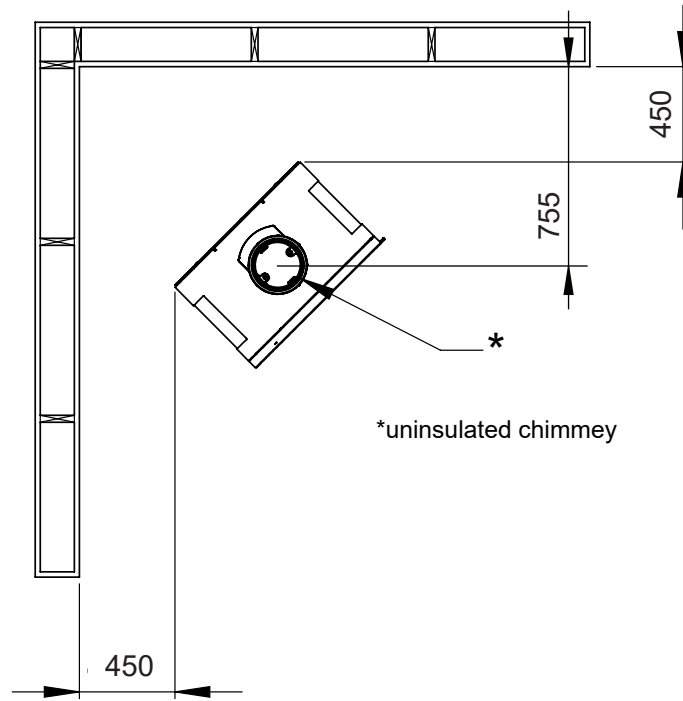
**Me stove w/o sideglass = mm / air / chimney**



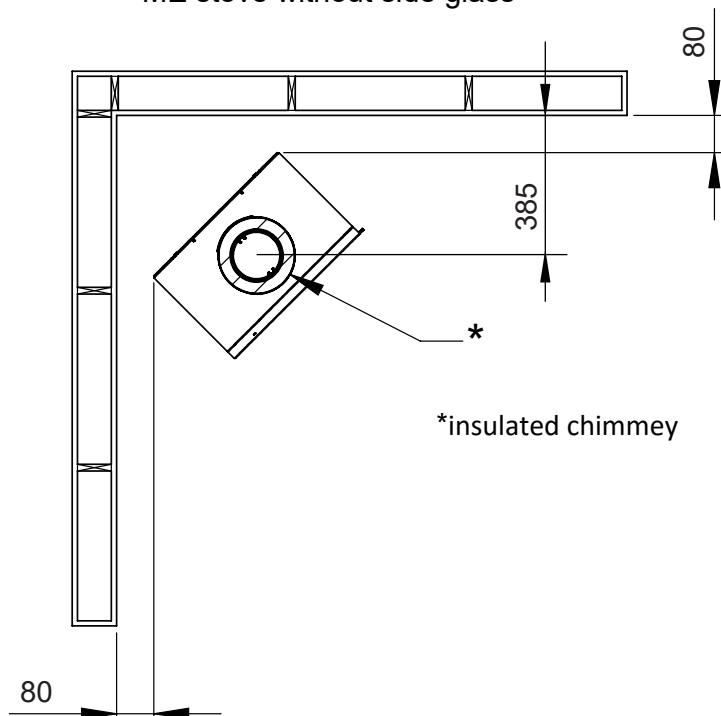
**FIG 1A** ME stove - safety distances

 = Brennbart materiale/ Brännbart material/ Combustible material/ Palavasta materiaalista/ Brennbarem Material/ Matières combustibles

ME stove with side glass



ME stove without side glass

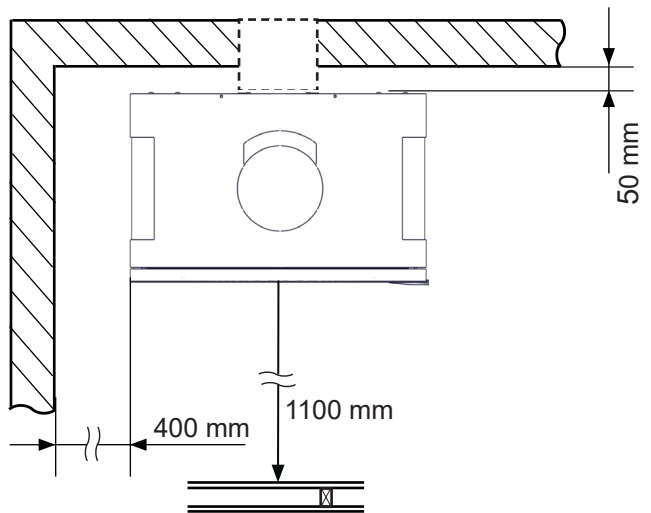
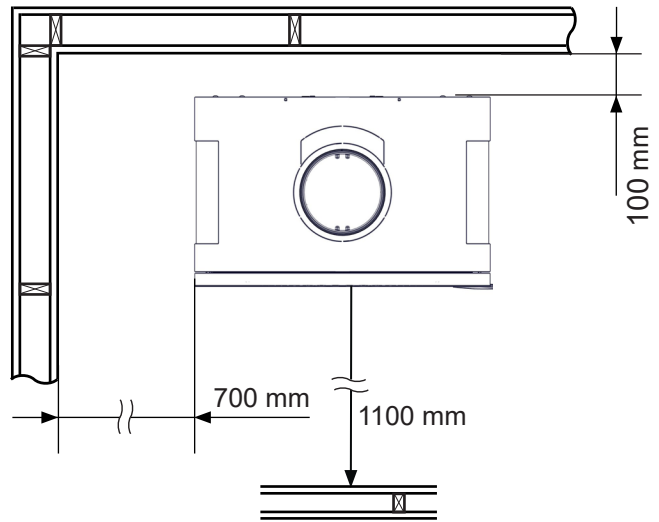
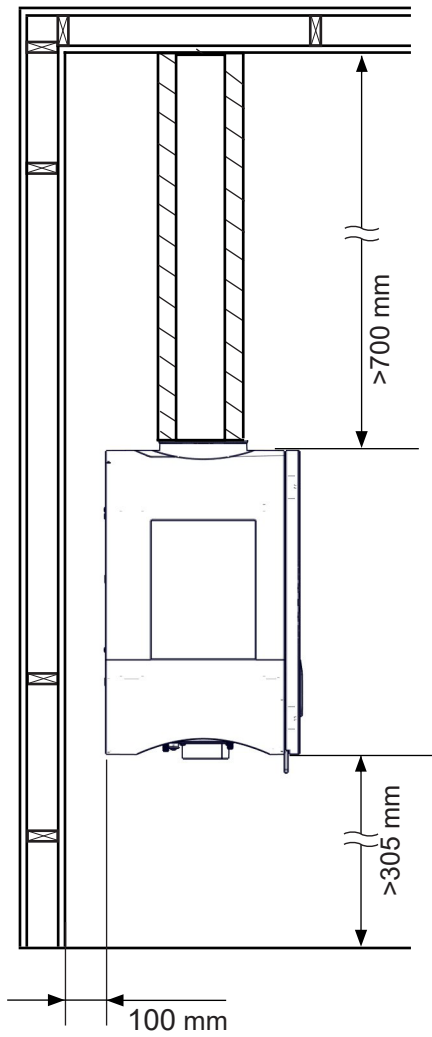


**FIG 1B**

**ME stove with sideglass - safety distances**

 = Brannmur/ Brandmur/ Firewall/ Palomuuuri/ Hitzenschutzwand/ Mur pare feu

 = Brennbar materiale/ Brännbart material/ Combustible material/ Palavasta materiaalista/ Brennbarem Material/ Matières combustibles



**FIG 1C**

**ME stove w/o sideglass - safety distances**

 = Brannmur/ Brandmur/ Firewall/ Palomuuri/ Hitzenschutzwand/ Mur pare feu

 = Brennbart materiale/ Brännbart material/ Combustible material/ Palavasta materiaalista/ Brennbares Material/ Matières combustibles

