

FIG 1

Davos P High = mm / air / chimney

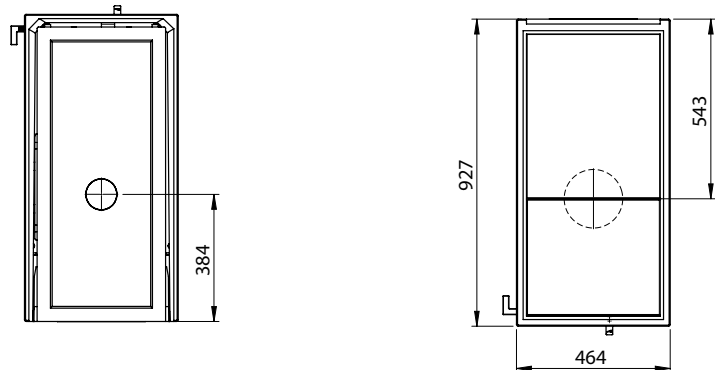
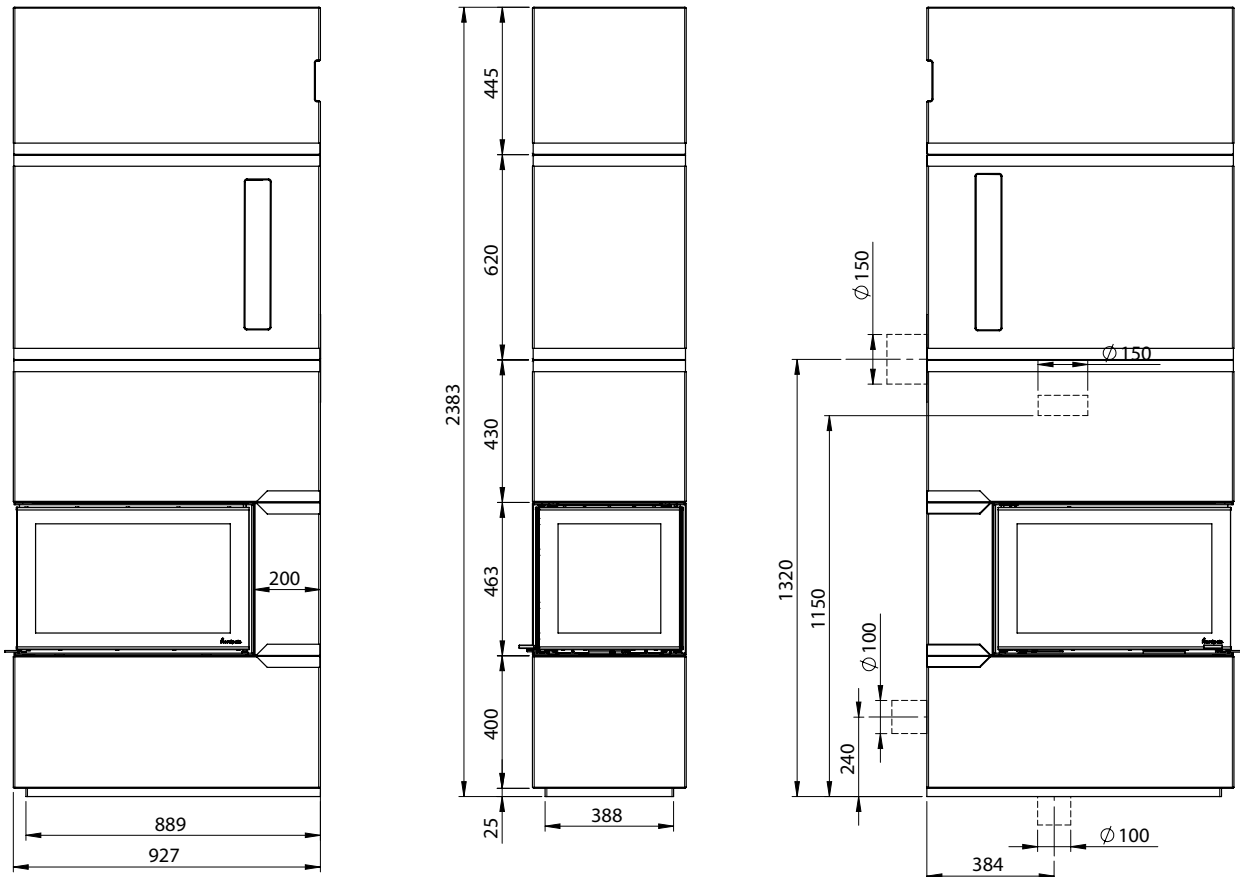


FIG 1 a

Davos P High extension part

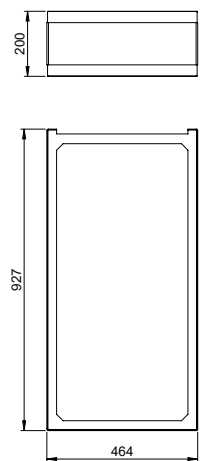


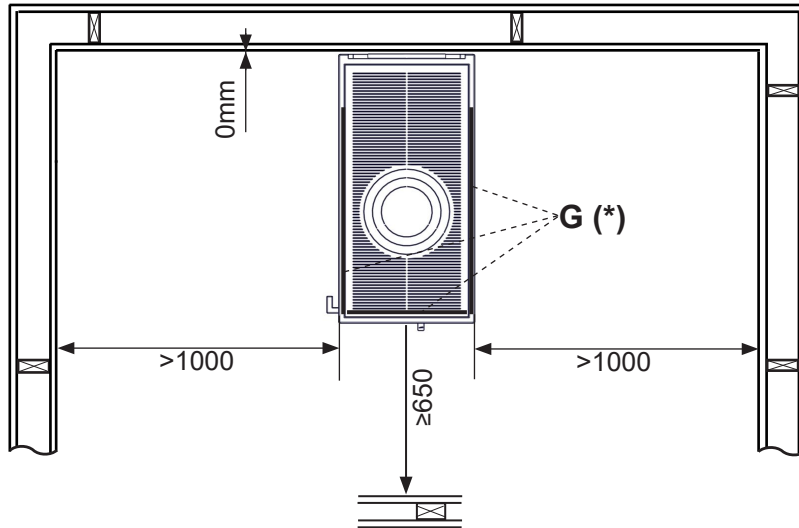


FIG 2

Davos P High_N-29P

-  =Brannmur/ Brandmur/ Firewall/ Hitzeschutzwand / Mur parfeu / Parete non combustibile / Palomuri
-  =Brennbar materiale/ Brännbart material/ Combustible material / Brennbares Material / Matières combustibles/ Parete combustibile / Tulenarka materiaali



(*) G = glass / verre

